

Retail Price List & Product Information

July 2008

2.3m Free Standing Light or Shower Pole



4WD Products & Accessories



Camping Gear & Accessories



12v Lighting & Accessories

4x4 Equip Pty Ltd
Factory 5/26 Burgess Rd
Bayswater, Vic 3153

PO Box 646
Bayswater, Vic 3153

Phone: +61 (3) 8761 6276
Facsimile: +61 (3) 8761 6279
info@4x4equip.com.au

ABN 94 075 191 230

Contents

Camping Gear & Accessories

- Light or Shower Pole - Aluminium Telescopic-----	3
- Light or Shower Pole - Wire Light Holders-----	3
- Light or Shower Pole - Shower Arms-----	3
- Light or Shower Pole - Ground Peg-----	4
- Light or Shower Pole - Mounting Brackets-----	4
- Light or Shower Pole - Battery Plate-----	4
- Clamp Wire Light Holders-----	5
- Storage Bags-----	5
- Burn Brite Versa-Lite 12v DC-----	5
- Burn Brite Versa-Lite 240v AC-----	6
- Burn Brite - 4x4 Equip 12v & 240v Versa-Lite Hybrid-----	6
- Yellow Insect Filters-----	6
- 12v Heavy Duty 10Amp Extension Cables-----	7
- 12v Portable Battery Packs-----	7
- 240v AC to 12v DC Power Adaptors-----	8
- Tent Peg Remover - 304 Stainless Steel-----	8
- Tent Pegs - 304 Stainless Steel-----	8

4WD Products & Accessories

- Combo & Split Shovel-----	9
- General Accessories-----	9
- Recovery - VR Recovery Bridle-----	10
- Sand Flag Kit - Carbon Fibre Pole with Safety Flag-----	10
- Rear Axe & Shovel Holder (Body Only)-----	11
- Mounting Plates to suit Axe & Shovel Holder-----	11
- Accessories to suit Axe & Shovel Holder-----	12

Appendix

- Axe & Shovel Vehicle Matrix	
-------------------------------	--

Light or Shower Pole - Aluminium Telescopic



Note:
Pole only, accessories not included

The light or shower pole is made up of 3 sections of high grade aluminium tube. It has a cam-loc mechanism & spring clip allowing telescopic extension from 1.0m up to 2.3m. There is a threaded sleeve at the base for connection to the **Ground Peg** or **Battery Plate**. The threaded spigot at the top is designed to secure the optional **Shower Arm** or **Wire Light Holder**.

Part No	Description	Barcode	RRP
IDH-5-2	Light or Shower Pole - Aluminium Telescopic	9340410000025	\$39.95

Light or Shower Pole - Wire Light Holders



This brilliant design allows you to hang your rectangular or round 12v portable light just about anywhere, utilising the free standing **Light Pole** or any 22mm diameter tent pole. Because of it's positive location over the spigot, your light will not come crashing down if knocked or in strong winds. It is made from 5mm steel wire and is nylon coated for added durability.

Suits Versa-Lite, Bush-Lite, Primus, ARB, Piranha and others.

Part No	Description	Barcode	RRP
IDH-4-1	Light or Shower Pole Wire Light Holder - REC	9340410000032	\$9.95
IDH-4-2	Light or Shower Pole Wire Light Holder - REC	9340410000049	\$9.95

Light or Shower Pole - Shower Arms



A useful addition to your free standing **Light Pole** is the **Shower Arm**. Made from the same aluminium tube as the pole, it can be easily positioned over the threaded spigot and secured with the supplied plastic saddle and wingnut. Used in conjunction with a portable shower system, with or without a cubicle or tarp, you don't have to worry about where to hang the shower head any more. Available in 200mm and 500mm lengths.

Part No	Description	Barcode	RRP
IDH-8-1	Light or Shower Pole Shower Arm - 500mm	9340410000049	\$19.95
IDH-8-2	Light or Shower Pole Shower Arm - 200mm	9340410000100	\$17.95

Camping Gear & Accessories

Light or Shower Pole - Ground Peg



The 300mm steel **Ground Peg** is zinc plated and has a high tensile thread at one end. Place the unique thread protective sleeve over the thread and hit the **Ground Peg** into firm ground (not suitable for sand). Simply screw the **Light or Shower Pole** in place to have lighting or a shower almost anywhere.

Part No	Description	Barcode	RRP
IDH-6-1	Light or Shower Pole Ground Peg	934041000018	\$24.95

Light or Shower Pole - Mounting Brackets



Vertical



Horizontal

Attach the 4x4 Equip **Light or Shower Pole Horizontal / Vertical Mounting Bracket** to your vehicle bullbar, camper trailer or caravan as a quick mounting point for your **Light or Shower Pole**.

Part No	Description	Barcode	RRP
IDH-6-2	Light or Shower Pole Mounting bracket - HOR	9340410000531	\$16.95
IDH-6-3	Light or Shower Pole Mounting bracket - VER	9340410000520	\$16.95

Light or Shower Pole - Battery Plate



The **Battery Plate** offers an alternative to using the **Ground Peg** in conjunction with the **Light Pole**. Made from 3mm steel plate, it has been zinc plated to assist in corrosion resistance. It comes with a rubber strap to secure your **Battery Pack** and protective feet to enable placement on hard or delicate surfaces. There may be occasions when portable lighting is required and no means of supporting the light. By using the **Battery Plate**, it will allow the **Light Pole** to be mounted on just about any surface, i.e. concrete, sand or even floor boards.

Part No	Description	Barcode	RRP
IDH-18-1	Light or Shower Pole Battery Plate	9340410000117	\$39.95

Camping Gear & Accessories

Clamp Wire Light Holders



Securely mounting your rectangular or round portable 12v light is no longer an issue with the **Clamp Wire Light Holder**. Clamp it to anything rigid around the camp, on your 4WD and inside or outside your camper or caravan. The **Clamp Wire Light Holder** is made from durable, but lightweight resin and 5mm zinc-plated wire.

Available in two sizes: 25mm or 50mm clamping capacity in either round, rectangular or velcro for either odd shaped or LED lights. Suits Versa-Lite, Bush-Lite, Primus, ARB, Piranha and others. (25mm recommend for clamping to standard tent poles)

Part No	Description	Barcode	RRP
IDH-4-3	25mm Clamp Wire Light Holder - REC	9340410000056	\$24.95
IDH-4-4	25mm Clamp Wire Light Holder - RND	9340410000063	\$24.95
IDH-4-7	25mm Clamp Wire Light Holder - LED	9340410000438	\$24.95
IDH-4-5	50mm Clamp Wire Light Holder - REC	9340410000070	\$26.95
IDH-4-6	50mm Clamp Wire Light Holder - RND	9340410000087	\$26.95
IDH-4-8	50mm Clamp Wire Light Holder - LED	9340410000445	\$26.95

Storage Bags



The 4x4 Equip **Storage Bags** are designed to store and protect a number of our unique products ensuring that they are ready for use when you need them the most. The **Combo Shovel Bag** stores either the **Combo Shovel** or the **Split Shovel** and protects the inside of your vehicle from dirt and sharp edges. The **Light Pole Bag** stores your **Light or Shower Pole**, **Ground Peg**, **Versa-Lite**, **Wire Light Holder**, **Shower Arm**, and even a **Clamp Wire Light Holder** – all at the same time. The same bag can also be used to store our **Flag Pole**. Our **Light Bag** holds the **Versa-Lite**, **Wire Light Holder**, and **Clamp Wire Light Holder** keeping all these lighting components together and ready for use. These 4x4 Equip **Storage Bags** are all made from a tough, hard wearing material.

Part No	Description	Barcode	RRP
IDH-22-4	12v Light Bag	9340410000179	\$19.95
IDH-22-5	Light Pole or Sand Flag Bag	9340410000186	\$27.95
IDH-22-6	Combo & Split Shovel Bag	9340410000193	\$24.95

Burn Brite Versa-Lite 12v DC



Burn-Brite's **Versa-Lite** needs no introduction. This Australian made 12v DC light has proven itself over many years. 11 watt fluorescent tube, 1A current, 6.4 metre cable with in-line switch. 3 year warranty.

Part No	Description	Barcode	RRP
IDH-VL-12	Burn Brite Versa-Lite 12v DC	9340410000223	\$104.95

Camping Gear & Accessories

Burn Brite Versa-Lite 240v AC



Another quality product from Burn-Brite in the **Versa-Lite** range. This 240v AC light has proven itself over many years. 6.4 metre cable with in-line switch. 3 year warranty.

Part No	Description	Barcode	RRP
IDH-PL-240	Burn Brite Versa-Lite 240v AC	9340410000230	\$99.95

Burn Brite - 4x4 Equip 12v & 240v Versa-Lite Hybrid



AUSTRALIA'S BEST 12V FLOURESCENT LIGHT JUST GOT BETTER! **Exclusive to 4x4 Equip** the new **Versa-lite Hybrid** offers the best of both worlds in many ways. Based on the very popular **Versa-lite 12v** the new Hybrid comes complete with an automotive CIG plug AND it's the first 12V light to also include a popular Merit plug. It also comes with a 240V adapter enabling it's use from standard 240V mains power at home or at the caravan park. The whole package fits neatly into the **12v Light Bag** provided.

Part No	Description	Barcode	RRP
IDH-VL-12H	Burn Brite - 4x4 Equip Versa-Lite Hybrid	9340410000322	\$134.95

Yellow Insect Filters



Manufactured from specially designed material which can withstand high temperatures emitted from spot lights, the filter can be easily removed or replaced when needed. Insects are attracted to ultraviolet light, with white and blue at the top end of the light scale. This is why they gather around our camp lights in abundance, causing problems especially at meal times. To help reduce their presence, 4x4 Equip has developed a **YELLOW Insect filter** to suit your 12v, 24v or 240v portable light. Yellow, being at the other end of the ultraviolet spectrum, will greatly reduce the number of insects attracted to your light.

Suits Versa-Lite, Bush-Lite, Primus, ARB, Piranha and others.

Versa-Lite (and similar) - Rectangular
Bush -Lite (and similar) - Round

Part No	Description	Barcode	RRP
IDH-12-1	Yellow Insect Filter - REC	9340410000131	\$8.95
IDH-12-2	Yellow Insect Filter - RND	9340410000148	\$8.95

Camping Gear & Accessories

12v Heavy Duty 10Amp Extension Cables



IDH-28-1



IDH-29-1



IDH-31-1



IDH-29-2

How many times has the standard cord on your 12v portable appliance not been long enough to reach exactly where you need it to? This problem is now solved with the 4x4 Equip's **12v Extension Cable** range.

Assembled by 4x4 Equip from heavy duty 10Amp Fig 8 wire

Part No	Description	Barcode	RRP
IDH-28-1	12v Heavy Duty 10Amp Extension Cable - 6m CIG Plug to CIG Socket	9340410000308	\$19.95
IDH-28-2	12v Heavy Duty 10Amp Extension Cable - 6m Merit/CIG Plug to Merit Socket	9340410000506	\$19.95
IDH-28-3	12v Heavy Duty 10Amp Extension Cable - 6m Merit/CIG Plug to CIG Socket	9340410000551	\$19.95
IDH-29-1	12v Heavy Duty 10Amp Extension Cable - 2m Battery Clips to CIG Socket	9340410000315	\$12.95
IDH-29-2	12v Heavy Duty 10Amp Extension Cable - 2m Merit/CIG Plug to Merit Socket	9340410000483	\$14.95
IDH-29-3	12v Heavy Duty 10Amp Extension Cable - 2m Merit/CIG Plug to CIG Socket	9340410000452	\$14.95
IDH-31-1	12v Heavy Duty 10Amp Multi Adaptor - 0.3m Merit/CIG Plug to CIG & Merit Socket	9340410000568	\$19.95

12v Portable Battery Packs



The 4x4 Equip **Battery Packs** utilising a premium Exide 12v battery. They are ideal for running camp lights, portable shower units, air bed inflators and most other portable 12 volt products. Also, they are perfect for positioning your portable lighting or shower in a location away from your vehicle.

The 4x4 Equip **Battery Packs** come complete with a high quality Exide sealed lead acid battery, two cigarette lighter sockets and a carry bag. Recharging on the move from your vehicle is easy via the 12v cigarette lighter charger provided, or charge from mains power via the 240v 1amp charger also provided with each pack.

Part No	Description	Barcode	RRP
IDH-26-1	12v 7Ah (Exide Battery) Includes: Bag, 12v & 240v Charger, 2 x CIG Sockets	9340410000115	\$109.95
IDH-26-2	12v 18Ah (Exide Battery) Includes: Bag, 12v & 240v Charger, 2 x CIG Sockets	9340410000162	\$139.95

Camping Gear & Accessories

240v AC to 12v DC Power Adaptors



Increase the versatility of your 12v portable lighting with the 4x4 Equip 240v **1Ah Power Adaptor**. Simply plug the **Power Adaptor** into any 240v power outlet and connect your 12v portable light.

For larger 12v appliances, use 4x4 Equip's 240v **8Ah Power Adaptor**. Simply plug the **Power Adaptor** into any 240v power outlet and connect your fridge or any 12v accessory up to 8Amp.

Use these adaptors around your home, at the caravan park or anywhere 240v mains power is available.

Part No	Description	Barcode	RRP
IDH-27-1	Power Adaptor 1Ah - 240v to 12v	9340410000285	\$29.95
IDH-27-2	Power Adaptor 8Ah - 240v to 12v	9340410000544	\$49.95

Tent Peg Remover - 304 Stainless Steel

Simple as..



1



2



3

The unique 4x4 Equip Stainless Steel **Tent Peg Remover** makes removing those stubborn tent pegs a breeze. Simply slot the **Tent Peg Remover** under the tent peg, stand on it to lever the tent peg up, and then use the integrated handle to lift the tent peg out of the ground. Simple, and so easy to use.

The **Tent Peg Remover** is manufactured in Australia from high grade 8mm 304 stainless Steel with a whopping 800MPa tensile strength making it extremely strong and rust resistant. No plastic or mild steel to break and bend under pressure, the 4x4 Equip Stainless Steel **Tent Peg Remover** is a high quality product that deserves a place amongst your camping gear.

Part No	Description	Barcode	RRP
IDH-21-1	Tent Peg Remover - 304 stainless steel	9340410000292	\$14.95

Tent Pegs - 304 Stainless Steel



Long return head to maximise holding and to eliminate spinning while in the ground



Pointed tip to assist with penetrating the hardest ground

Fed-up with bent or rusted tent pegs? 304 STAINLESS STEEL will eliminate your rust problem forever and it's tough tensile strength (800MPa*) will significantly reduce your bending problem compared with conventional mild steel tent pegs.
(*Mild Steel 420MPa)

Part No	Description	Barcode	RRP
IDH-15-8	8.0mm x 175.0mm - Pack 6	9340410000605	\$13.95
IDH-15-6	8.0mm x 225.0mm - Pack 6	9340410000575	\$16.95
IDH-15-7	8.0mm x 300.0mm - Pack 6	9340410000582	\$29.95

4WD Products & Accessories

Combo & Split Shovel



The unique 4x4 Equip **Combo Shovel** takes away the hassle of trying to carry a long handled shovel inside or outside your 4WD. Simply un-screw the long handle at the threaded joint and store it conveniently away. By attaching the supplied 'D' handle it now becomes a useful spade. The high quality **Combo Shovel** is built strong for hard work and consists of a heat treated steel blade, multi-core, steel reinforced fibreglass handle, heavy duty "D" handle and steel joining sleeves. It has become very popular with four wheel drivers who at times may require either a long handled shovel or a short spade but don't want to carry two separate items, and is easy to carry in any vehicle - even soft roaders.

The **Combo Shovel** can be easily attached to 4x4 Equip's **Axe & Shovel Holder**.

Technical Specifications:

Long Handle Shovel Length 1430mm
D Handle Shovel Length 970mm
Minimum "break down" Length 770mm
Blade Width 193mm

The **Split Shovel** is for those who just want to carry a long handled shovel. This shovel breaks down to half it's length to ensure ease of storage inside your vehicle. The **Split Shovel** is manufactured to the same quality standards and using the same materials as our **Combo Shovel**.

Technical Specifications:

Long Handle Shovel Length 1430mm
Minimum "break down" Length 770mm
Blade Width 193mm

Part No	Description	Barcode	RRP
IDH-2-1	Combo Shovel (including 'D' handle)	9340410000124	\$89.95
IDH-2-2	Split Shovel (including storage bag)	9340410000612	\$79.95

General Accessories



Before



After



GU Nissan Door Bracket

Open the rear door of your Nissan Patrol GU further with the 4x4 Equip **Rear Door Extension Bracket**. The design of the OEM Nissan Patrol GU door bracket on Series I, II, III, and IV vehicles restricts the small rear door from opening as far as it could. Following many requests from Nissan Series IV owners we've developed a bracket that will allow the door to open further **on all models**, in turn making entry to the vehicle and loading gear a much less frustrating task.

The 4x4 Equip **Rear Door Extension Bracket** is zinc plated for corrosion resistance, and is very easy to fit using the instructions provided.

Part No	Description	Barcode	RRP
IDH-14-1	GU Nissan Patrol Rear Door Extension Bracket	9340410000537	\$26.95



This no-nonsense **2kg (4lb) Axe** features a strong fibreglass handle and a rubber handgrip. It suits the 4x4 Equip **Axe & Shovel Holder** well, and the yellow colour will ensure that you don't forget it when you leave your favourite campsite.

Part No	Description	Barcode	RRP
IDH-30-1	2kg 4lb Fibreglass Handled Axe	9340410000360	\$29.95

4WD Products & Accessories

Recovery - VR Recovery Bridle



Snatch recovery of a four wheel drive is a dangerous activity. Minimising the strain applied to your vehicle recovery points is paramount when using a snatch strap. The 4x4 Equip **Recovery Bridle** distributes the load evenly between each recovery point. It works effectively with both full chassis vehicles and monocoque vehicles. Manufactured from heavy duty 16.0mm synthetic rope with 14% elongation. The 4x4 Equip **Recovery Bridle** is 2m in length and comes complete with two 2.0 tonne bow shackles, a protective sleeve for longevity and storage bag. It also, has a breaking strain of 8000kg (17,600lb) (Straight line pull).



Part No	Description	Barcode	RRP
IDH-23-1	VR-Recovery Bridle 2.0m (8.0T Rating)	9340410000209	\$119.95

Sand Flag Kit - Carbon Fibre Pole with Safety Flag



Using a sand flag on your vehicle during coastal and inland sand dune and coastal track driving will decrease the risk of an accident with another vehicle. 4x4 Equip has developed this unique telescoping **Sand Flag Kit** to alleviate the problem of trying to store a long flag either inside or outside your vehicle. It's compacted length is a mere 1.2 metres ensuring that it can be stored inside any four wheel drive including soft roaders. The 4x4 Equip **Sand Flag** extends to 4 metres making it one of the longest products of it's type on the market and considerably increases the safety factor. Due to it's construction there is no spring base required.



Well suited to the dunes of Portland, Lancelin, Robe, Fraser Island, Stockton and the Simpson.

Made from carbon fibre for lightweight durability and strength.

Easy to fit.

- All fitting hardware and instructions included.
- High visibility, replaceable safety flag (includes reflective strips).
- Meets the Occupation Health & Safety standards for mining vehicles.



Part No	Description	Barcode	RRP
IDH-20-1	Sand Flag Kit - Carbon Fibre Pole and Flag	9340410000216	\$139.95
IDH-20-2	Safety Flag - 270 x 300 with Reflective Strips	9340410000629	\$26.95

4WD Products & Accessories

Rear Axe & Shovel Holder (Body Only) See below for Mounting Plate..



Axe & Shovel Holder features include:

- Proudly Australian made
- Zinc plated and powder coated
- Mounts behind spare wheel
- Suitable for Alloy or Steel rims
- Easily removed
- Storage bracket supplied
- Retaining clip with chain
- Handle retaining pin & padlock
- Rubber strap
- Provision for mounting 4x4 Equip's **Combo Shovel**
- Provision for mounting 4x4 Equip's **Free Standing Light or Shower Pole**
- Divider in base to have the option to carry an **Axe** or **Shovel** on their own
- Choice of 3 off-set models



Optional accessories include:

- Combo Shovel
- 2Kg (4lb) Fibreglass Handled Axe
- Threaded Aluminium Telescopic Light Pole & Accessories
- Number Plate Bracket

Refer to enclosed vehicle matrix to establish the correct Axe & Shovel Holder / Mounting Plate for individual vehicles.

Part No	Description	Barcode	RRP
IDH-1-M1-A, M2-A M3-A or M4-A	Axe & Shovel Holder, <i>Including Mounting Plate</i>		\$189.95
IDH-1-M1-A	Axe & Shovel Holder - Body <u>Only</u>	9340410000254	\$59.95
IDH-1-M2-A	Axe & Shovel Holder - Body <u>Only</u>	9340410000261	\$59.95
IDH-1-M3-A	Axe & Shovel Holder - Body <u>Only</u>	9340410000278	\$59.95
IDH-1-M4-A	Axe & Shovel Holder - Flat Panel Mount	9340410000599	\$189.95

Mounting Plates to suit Axe & Shovel Holder



IDH-1-40

- IDH-1-40** **Mounting Plate to Suit:**
Mitsubishi Pajero - all models
Toyota Prado - all models
Nissan Patrol - all models
Holden - all models
Toyota Troop Carrier - all models
Suzuki - all models
Hummer - H3
- IDH-1-41** **Mounting Plate to Suit:**
Jeep - all models
Toyota Rav 4 - all models
Land Rover Freelander - all models
- IDH-1-42** **Mounting Plate to Suit:**
Land Rover Defender - steel rims
Land Rover Discovery Series I - steel rims
Land Rover Discovery Series I & II - all models
- IDH-1-43** **Mounting Plate to Suit:**
Land Rover Defender - alloy rims



Mounting Plates to suit the above Axe & Shovel Holder

Refer to enclosed vehicle matrix to establish the correct Axe & Shovel Holder / Mounting Plate for individual vehicles.

Part No	Description	Barcode	RRP
IDH-1-40	Mounting Plate	9340410000377	\$45.00
IDH-1-41	Mounting Plate	9340410000384	\$45.00
IDH-1-42	Mounting Plate	9340410000391	\$45.00
IDH-1-43	Mounting Plate	9340410000407	\$45.00

4WD Products & Accessories

Accessories to suit Axe & Shovel Holder



Telescopic Light or Shower Pole



Wire Light Holder



Number Plate Bracket



12v Versa-Lite



Combo Shovel



2Kg (4lb) Fibreglass Handled Axe



Shower Arm

Part No	Description	Barcode	RRP
IDH-3-M1	Number Plate Bracket (2 Hella lights, no wiring)	9340410000339	\$59.95
IDH-3-M2	Number Plate Bracket (2 Hella lights, no wiring)	9340410000346	\$59.95
IDH-3-M3	Number Plate Bracket (2 Hella lights, no wiring)	9340410000353	\$59.95
IDH-2-1	Combo Shovel (with D Handle)	9340410000124	For pricing, see wholesale price list
IDH-5-2	Light or Shower Pole - Aluminium Telescopic	9340410000025	For pricing, see wholesale price list
IDH-4-1	Light or Shower Pole Wire Light Holder - REC	9340410000032	For pricing, see wholesale price list
IDH-8-1	Light or Shower Pole Shower Arm - 500mm	9340410000094	For pricing, see wholesale price list
IDH-30-1	2kg 4lb Fibreglass Handled Axe	9340410000360	For pricing, see wholesale price list
IDH-VL-12	Burn Brite Versa-Lite 12v DC	9340410000223	For pricing, see wholesale price list



4x4 Equip™

Quality 4x4 Accessories & Camping Gear

4x4equip.com.au



Wire Light Holder

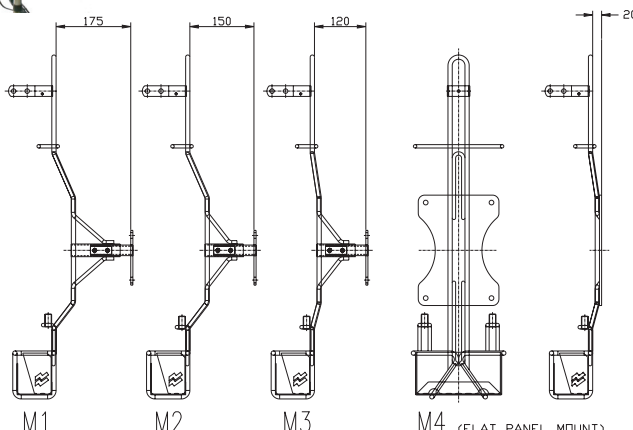
Combo Shovel

2Kg (4lb) Fibreglass Handled Axe

Telescopic Light or Shower Pole

Number Plate Bracket

Axe & Shovel NOT included



OFF-SET MODELS AVAILABLE

Standard Features:

- Australian designed & manufactured
- Handle retaining pin & padlock
- Rubber strap
- Zinc plated & powder coated
- Garage storage bracket
- Choice of 4 (off-set) models
- Provision for mounting 4x4 Equip's Free Standing Light or Shower Pole
- Provision for mounting 4x4 Equip's Combo Shovel
- Divider in base to have the option to carry an axe or shovel on their own

Axe & Shovel Holder Vehicle Matrix for OEM Rim & Tyre

Please Note:

Due to manufacturer variations , confirm off-set (see over) before ordering.

Make	Model	Series	Steel Rims	Alloy Rims	Studs	Shovel Holder Model	Mounting Plate - Part No
Holden	Frontera	all	✓		6	M3	IDH-1-40
	Jackaroo	all	✓		6	M3	IDH-1-40
	Jackaroo	all		✓	6	M2	IDH-1-40
Jeep	Wrangler	all	✓	✓	5	M3	IDH-1-41
Land Rover	Defender	all	✓		5	M3	IDH-1-42
	Defender	all		✓	5	M3	IDH-1-43
	Discovery	I	✓		5	M3	IDH-1-42
	Discovery	I		✓	5	M3	IDH-1-43
	Discovery	II	✓	✓	5	M3	IDH-1-42
	Freelander	all	✓	✓	5	M3	IDH-1-41
Mitsubishi	Pajero	NH-NL	✓		6	M3	IDH-1-40
	Pajero	NH-NL		✓	6	M2	IDH-1-40
	Pajero	NM-NP		✓	6	M3	IDH-1-40
Nissan	Patrol GQ	all	✓	✓	6	M2	IDH-1-40
	Patrol GU	I, II, III	✓	✓	6	M2	IDH-1-40
	Patrol GU	IV	✓		6	M2	IDH-1-40
	Patrol GU	IV		✓	6	M1	IDH-1-40
Suzuki	Vitara	all	✓		6	M3	IDH-1-40
	Grand Vitara	all		✓	6	M3	IDH-1-40
	Siera	all	✓		6	M3	IDH-1-40
Toyota	Prado	all	✓		6	M3	IDH-1-40
	Prado	all		✓	6	M2	IDH-1-40
	Troop Carrier		✓		6	M3	IDH-1-40
	Troop Carrier		✓		5	M3	IDH-1-40
	Troop Carrier			✓	5	M2	IDH-1-40
	Rav 4	all	✓	✓	5	M3	IDH-1-41
Hummer	H3	all		✓	5	M3	IDH-1-40
General	Panel Mount	Camper Trailer, Ute or Slide on Camper				M4	NA

Accessories

- Combo Shovel (with D Handle) IDH-2-1
- 2Kg (4lb) Fibreglass Handle Axe IDH-30-1
- Threaded Aluminium Telescopic Light & Shower Pole IDH-5-2
- Wire Light Holder IDH-4-1
- Number Plate Bracket for M1 Holder IDH-3-M1
- Number Plate Bracket for M2 Holder IDH-3-M2
- Number Plate Bracket for M3 Holder IDH-3-M3

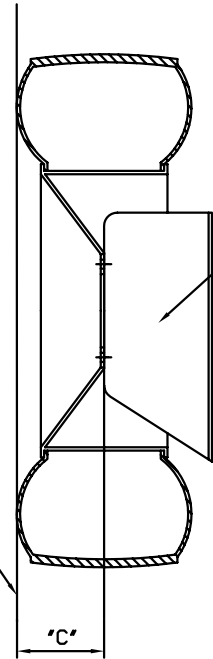
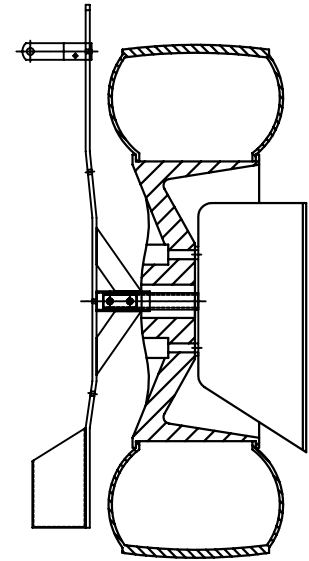
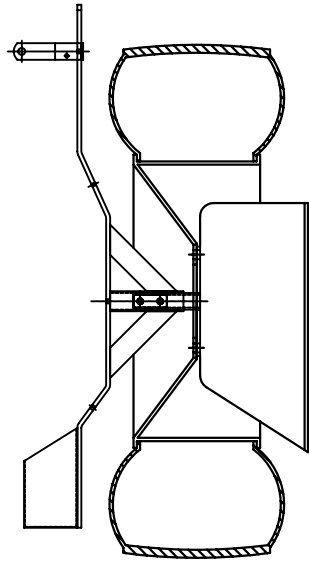
AXE AND SHOVEL HOLDER MEASURING INSTRUCTIONS

As you can appreciate, there are many different types and combinations of rims and tyres on the market.

Therefore, it is necessary to measure your rim and tyre combination to select the best suited Axe and Shovel Holder for your Four Wheel Drive.

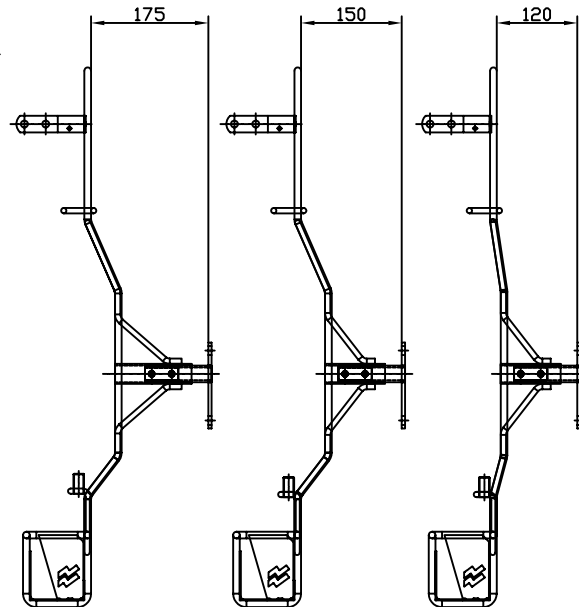
There are three models to choose from, the M1, M2 and M3, which will cover most rim off-set variations. The model type and mounting plate spigot length is determined by measuring dimensions 'A' and 'B' on alloy rims and dimension 'C' on steel rims.

If you run multiple rims and tyres, select the larger dimension in all cases.



STEEL RIM
 REQUIRE DIMENSION "C"
 IN MILLIMETERS

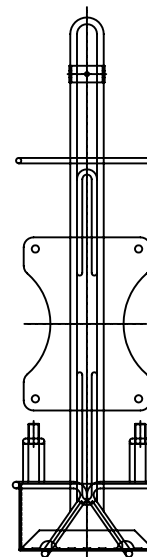
REAR DOOR
 SPARE WHEEL
 BRACKET



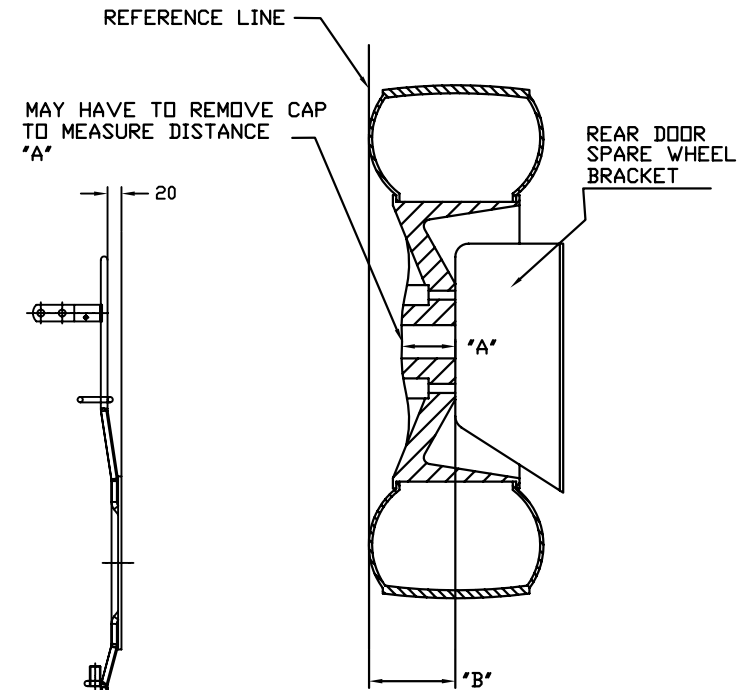
M1

M2

M3



M4 (FLAT PANEL MOUNT)



ALLOY RIM
 REQUIRE DIMENSIONS
 "A" AND "B"
 IN MILLIMETERS

OFF-SET MODELS AVAILABLE